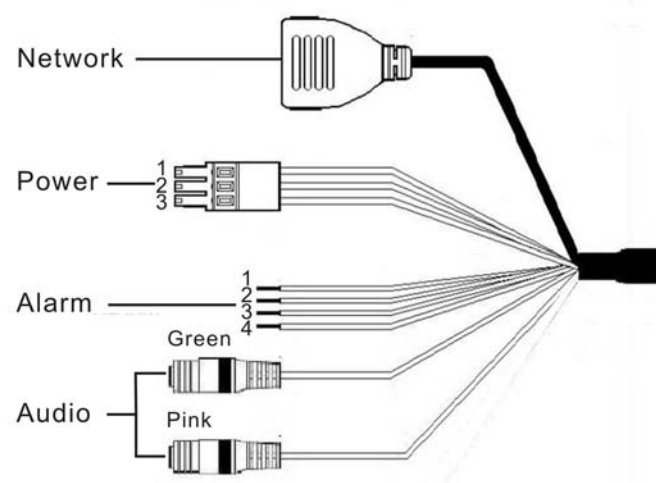


Full HD Multiple Streams IR Bullet IP Camera Quick Guide

The quick guide is for quick installing and connecting the Full HD Multiple Streams IR Bullet IP Camera. For details, please refer to the camera's User Manual.

Cable Definition



Cable	Pin No.	Definition	Remarks
Network (with POE)	-	RJ-45 connector with LED	
Power	1	AC 24V-1	DC (-)
	2	GND	Reserved
	3	AC 24V-2	DC (+)
Alarm	1	ALM_IN -	Alarm connection
	2	ALM_IN +	
	3	ALM_OUT -	
	4	ALM_OUT +	
Audio I/O	Pink	Line In/ Mic In	Two-way audio transmission
	Green	Line Out	

IP Camera Installation

Please follow the instructions below to complete IP Camera installation.

Power up the Camera

To power up the IP Camera, please plug the DC 12V/ AC 24V cable into the Camera's power terminal block. Alternatively, connect the Ethernet cable to the camera's PoE port and plug the other end of the cable into a PoE switch.



NOTE: If using PoE, make sure Power Sourcing Equipment (PSE) is in use in the network.

Ethernet Cable Connection

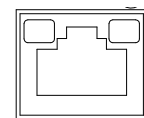
Connect one end of the CAT5 Ethernet cable to the RJ-45 connector of the IP Camera, and the other end of the cable to the network switch or PC.



NOTE: In some cases, you may need to use an Ethernet crossover cable when connecting the IP Camera directly to the PC.



NOTE: Check the status of the link indicator and activity indicator LEDs; if the LEDs are unlit, please check LAN connection.



Green Link Light indicates good network connection.

Orange Activity Light flashes for network activity indication.

Before Login to the IP Camera

A client program will be automatically installed on your PC when connecting to the IP Camera. Before logging in to the IP Camera, please ensure downloading the ActiveX control is allowed by either changing the ActiveX controls and plug-ins or setting Internet's security level to default. For further details, please refer to the IP Camera's user manual.

ActiveX Controls and Plug-ins Settings	Internet Security Level
<p>Step 1: Start the Internet Explorer (IE).</p> <p>Step 2: Select <Tools> from the main menu of the browser. Then Click <Internet Options>.</p> <p>Step 3: Click the <Security> tab and select "Internet", and click <Custom level> to change ActiveX settings.</p> <p>Step 4: Set "ActiveX controls and plug-ins" items to <Prompt> or <Enable>.</p>	<p>Step 1: Start the IE.</p> <p>Step 2: Select <Tools> from the main menu of the browser. Then Click <Internet Options>.</p> <p>Step 3: Click the <Security> tab and select "Internet."</p> <p>Step 4: Down the page, press "Default Level" and click "OK" to confirm the setting. Close the browser window, and open a new one later for accessing the IP Camera</p>

IP Camera Login

The IP Camera's default IP address is: **192.168.0.250**. Therefore, to access the IP Camera for the first time, set the PC's IP address as: 192.168.0.XXX; for example:

IP Address: 192.168.0.100

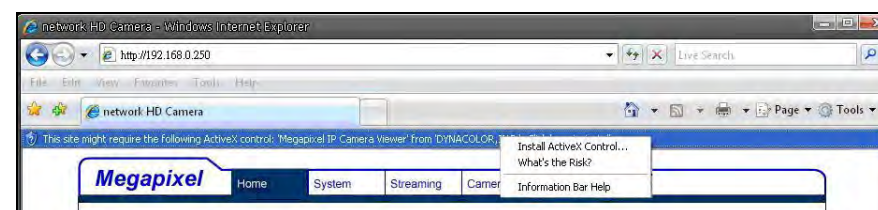
Subnet Mask: 255.255.255.0

Login ID & Password

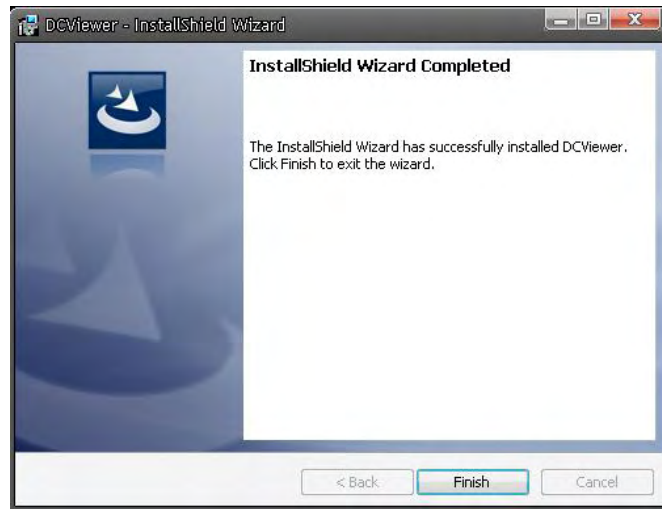
- Key in the IP Camera's IP address in the URL bar of the Web browser window and press "Enter."
- Enter the default user name (**Admin**) and password (**1234**) in the prompt request dialogue. Note that user name is case sensitive.

Install the ActiveX control

- After connecting to the IP Camera, the request for installing the ActiveX control will appear just below the URL bar.
- Right Click on the information bar, and press "Install ActiveX Control..." to permit ActiveX control installation.



- In the pop-up security warning window, click "Install" to start downloading DC Viewer software on the PC.
- Press "Finish" after DC Viewer installation is complete.



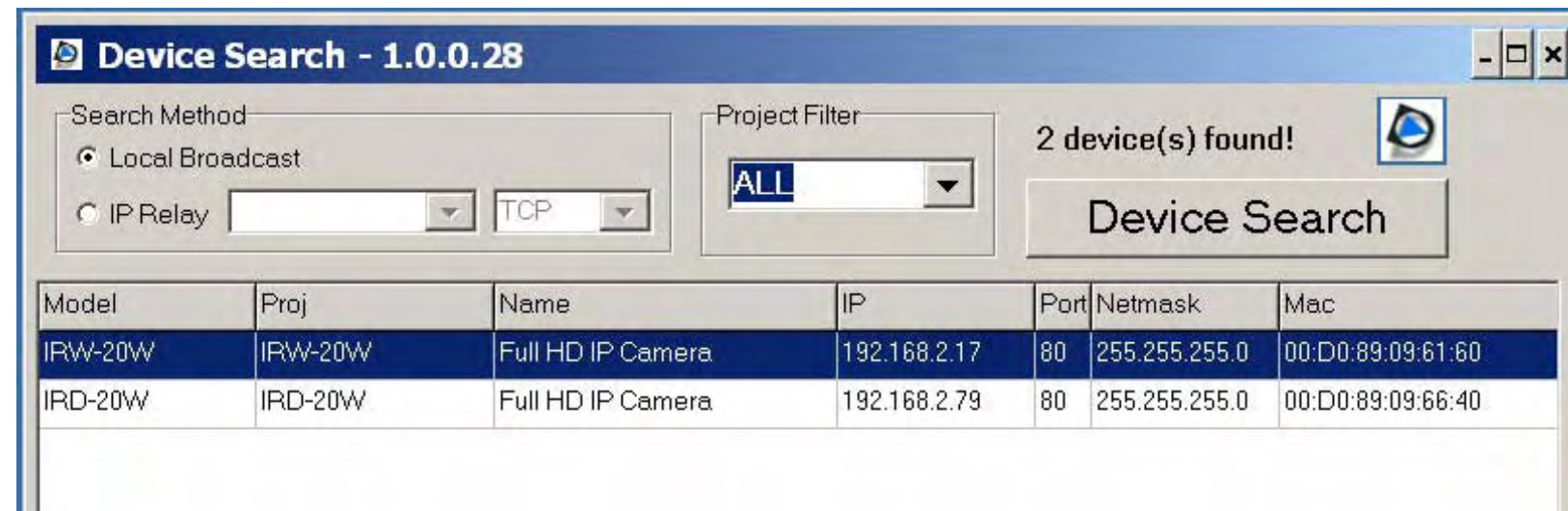
Full HD Multiple Steams IR Bullet IP Camera Quick Guide

Browser-based Viewer

The main page of the IP Camera user interface is as shown below. Please note that the function buttons will vary depending on the camera model.



Ver1.2



Videosec Home System Streaming **Camera** Logout

7 Recommended IP Camera Setting
(IRW-20W, IRD-20W, ICS-20W, ICS-50W)

Auto Mode
 Auto Iris
 Auto Shutter
 Min Shutter Speed: 1/25

White Balance **ATW**

Picture Adjustment
 Brightness: Default
 Sharpness: Default
 Contrast: Default
 Saturation: Default
 Hue: Default

Backlight: Off

Digital Zoom: Off

IR Function: Smart

WDR Function: Hi

Noise Reduction: 3DNR Mid

TV System: 25 fps(PAL)

Video format H.264-1 H.264-2

MJPEG bitrate : middle compression, middle quality
 H.264-1 bitrate : 4096 kbps, middle compression
 H.264-2 bitrate : 1024 kbps, high compression, low quality

Use Device Search Software to find IP cameras & NVR , first

Device Search - 1.0.0.28

Search Method: Local Broadcast IP Relay

Project Filter: ALL

2 device(s) found!

Model	Proj	Name	IP	Port	Netmask	Mac
IRW-20W	IRW-20W	Full HD IP Camera	192.168.2.17	80	255.255.255.0	00:D0:89:09:61:60
IRD-20W	IRD-20W	Full HD IP Camera	192.168.2.79	80	255.255.255.0	00:D0:89:09:66:40

Network Setup

Device Information

Model: IRW-20W
 Project: IRW-20W
 Name: Full HD IP Camera
 MAC: 00:D0:89:09:61:60

Network Property

DHCP Static IP

IP Address: 192.168.2.175
 Gateway: 192.168.2.1
 Netmask: 255.255.255.0
 DNS: 213.163.34.66

Apply Close

Double click to connect

2 right click to net. setup

3
 Detail Info.
 Browse
 Network Setup

Log to **NUUO** as "Santec" :

SNC-3302 or SNC-4302 or SNC-5312IR or SNC-6032 or SNC-6312IRH