

# 5MP ColourHunter HD Fixed Mini Bullet Analog Camera

**XB-500WL-28F**



## Introduction

XB-500WL-28FW is a 5MP ColorHunter HD Fixed Mini Bullet Analog Camera with a high-performance 1/2.7-inch CMOS sensor. It supports TVI/AHD/CVI/CVBS, which effectively enhances product adaptability and diversity of networking solutions. With SYV-75-3 or other coaxial cable types the camera can achieve low-cost, long-distance, anti-interference, and low delay mega-pixel HD video transmission. The camera supports 24/7 full-color imaging.

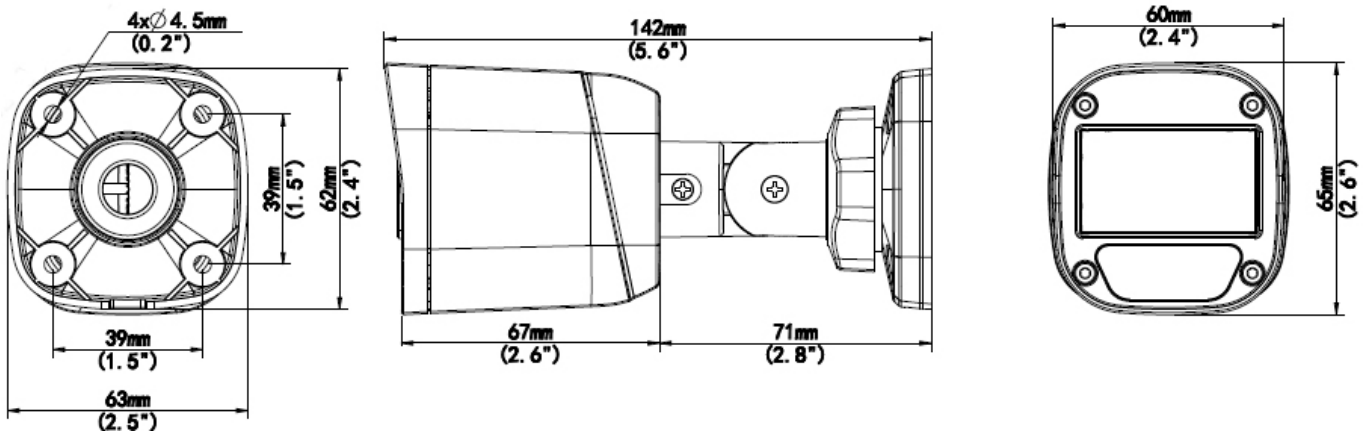
## Features

- 5MP high quality image
- TVI/AHD/CVI/CVBS
- Supports white light illumination, 24/7 full-color imaging
- Supports 180° horizontal flip, 180° vertical flip
- OSD configuration menu, easy to operate
- IP67 waterproof and dustproof design, high reliability
- OSD configuration menu in 11 languages

## Specifications

Model	XB-500WL-28F
<b>Sensor</b>	
Pixel	5MP
Size	1/2.7"
Minimum illumination	0.02 lux (F1.6, AGC ON) 0.00 lux (white light on)
<b>Lens</b>	
Lens	2.8mm
Lens mount	M12
Angle of view	H: 110.0° V: 57.0°
<b>Illuminator</b>	
Illuminator	One white-LED light illuminator
Illumination distance	20m
Lifetime	≥60,000 hours
<b>Video</b>	
Resolution	5MP@25fps: 2880(H)×1620(V); 5MP@20fps: 2592(H)×1944(V); 5MP@12.5fps: 2592(H)×1944(V) 4MP: 2560(H)×1440(V) 1080P: 1920(H)×1080(V)
Frame rate	TVI: 5MP@20fps, 5MP@12.5fps, 4MP@30fps, 4MP@25fps, 1080P@30fps, 1080P@25fps AHD: 5MP@20fps, 4MP@30fps, 4MP@25fps, 1080P@30fps, 1080P@25fps CVI: 5MP@25fps, 4MP@30fps, 4MP@25fps, 1080P@30fps, 1080P@25fps CVBS: PAL/NTSC
Shutter time	PAL: 1/25s-1/50000s NTSC: 1/30s-1/50000s
<b>Image</b>	
Exposure mode	4 modes: Global (default), BLC, HLC, DWDR
Day/Night	24/7 full-color imaging
Digital noise reduction	2D
White balance	Two modes: Auto (default), Manual
WDR	DWDR
Flip	Supports 180° horizontal flip, 180° vertical flip
<b>Interface</b>	
Power	5.5x2.1mm power interface
Video output	BNC, supports TVI/AHD/CVI/CVBS
<b>Operating environment</b>	
Temperature	-30 °C to +60 °C
Humidity	≤95% (RH, non-condensing)
Surge protection	4KV
Ingress protection	IP67
<b>General</b>	
Power	DC12V (±25%), with reverse polarity protection and surge protection, Max 200mA (2.4W)
Mount	3D bracket supplied, surface mount (default), optional backbox, pole mount bracket
Dimensions	142mm*63mm*65mm (L*W*H)
Material	Plastic
Weight	145g
Certification	CB, CE, FCC

## Dimensions



Accessory Model	Image	Remarks
TR-JB05-A-IN		Bullet camera backbox (supports rear cabling, square)-97.5mm*93mm*43.1mm, sold separately
TR-UP06-B-IN		Bullet camera pole-mount bracket (white)-bullet camera-sheet metal, sold separately
TR-JB07-D-IN		Bullet camera backbox (supports rear cabling) --125mm*125mm*57mm, sold separately