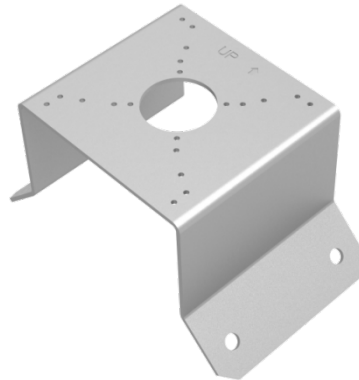


Bullet&Dome Corner Mounting Bracket

TR-UC08-C



Specifications

Bracket	TR-UC08-C
Application	Corner installation (compatible junction boxes: TR-JB05-A-IN, TR-JB05B-IN, TR-JB06-A-IN, TR-JB07-D-IN)
Dimensions (L x W x H)	137mmx127mmx116mm
Weight	0.42kg
Material	Aluminum alloy

Dimensions

